

Connection plug B

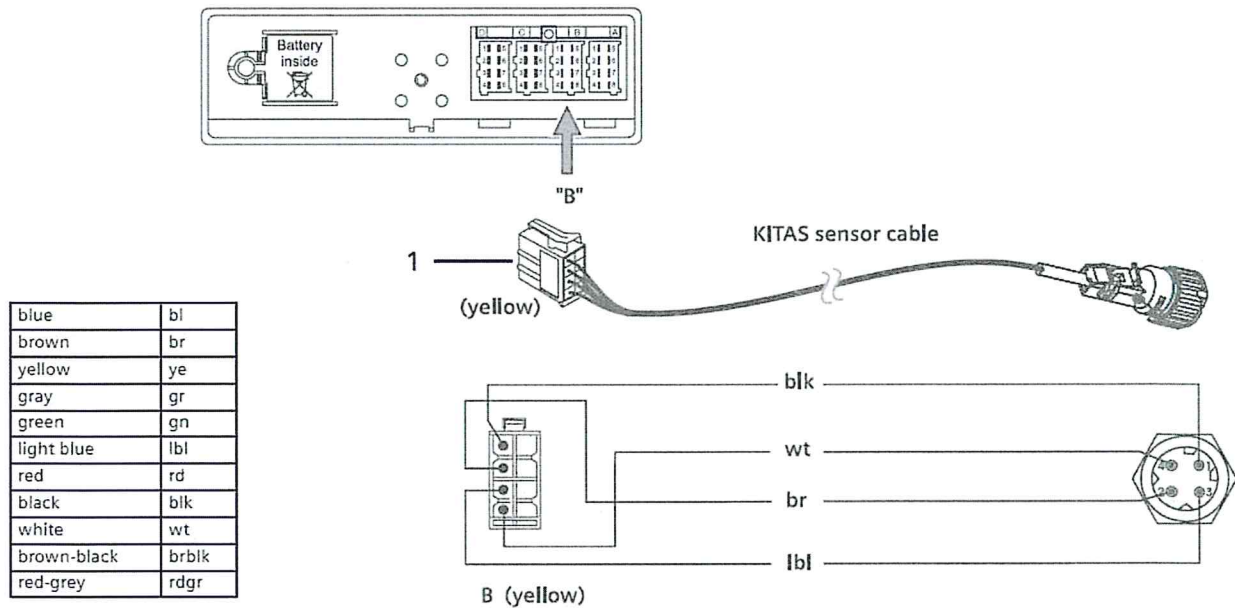
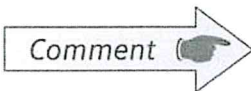


Fig. 5 - 15: Connect DTCO 1381 with KITAS 2171

1. Insert the yellow plug (1) of the KITAS sensor cable into the connection plug "B" on the DTCO 1381.

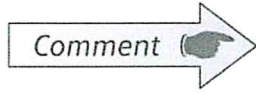


The KITAS sensor cable must meet special requirements, see chapter 2.2.6 "KITAS Sensor cable", page 2-19.

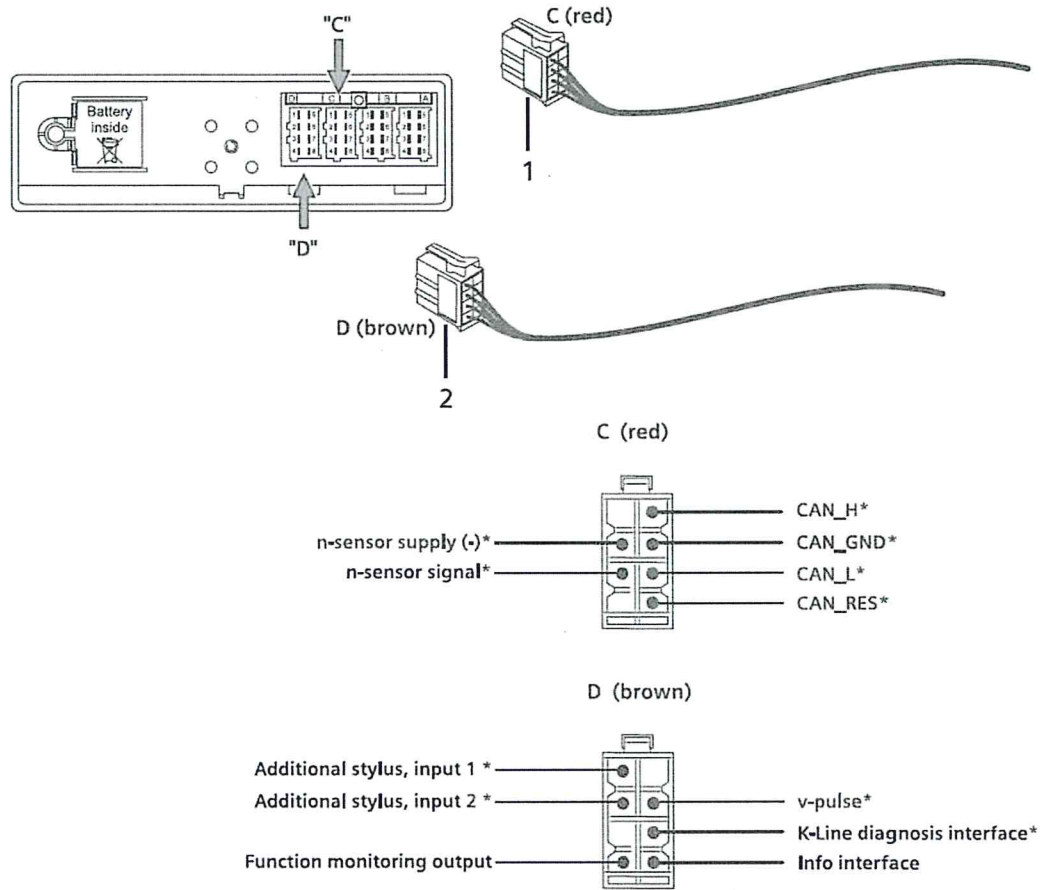
TD00.1381.00 132 102

Service only

Connection plugs C and D



The pin assignments and connection diagram may vary depending on the version of the DTCO 1381.



\* Option

Fig. 5 - 16: Connect the DTCO 1381 connection plugs C and D

1. Insert the red plug (1) into connection plug "C" and the brown plug (2) into connection plug "D" on the DTCO 1381.

Service only

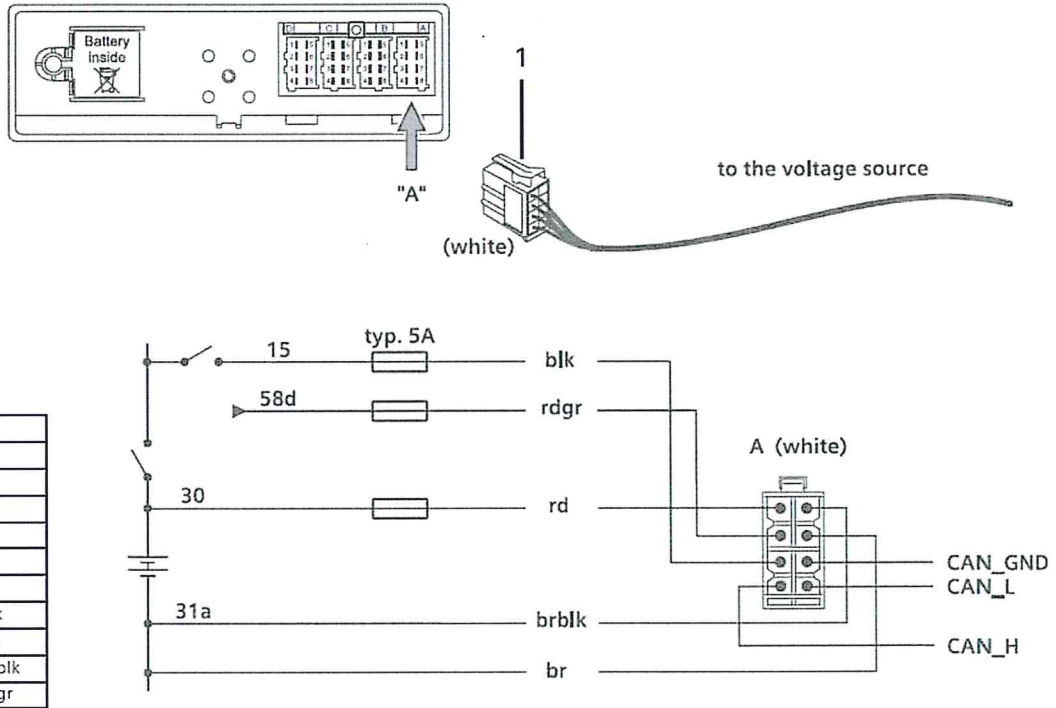
TD00.1381.00 132 102

Connection plug A



**Caution! Danger of short circuits**

Always observe the vehicle manufacturer's instructions when executing the following work steps!



TD00.1381.00 132 102

Fig. 5 - 17: Connect the DTCO 1381 connection plug A

1. Separate the vehicle's battery from the on-board power supply.  
or  
Interrupt the respective power circuit by removing the fuse.
2. Then insert the white plug (1) into the connection plug "A" on the DTCO 1381.
3. Reconnect vehicle battery.  
or  
Re-insert the fuses.

Service only